

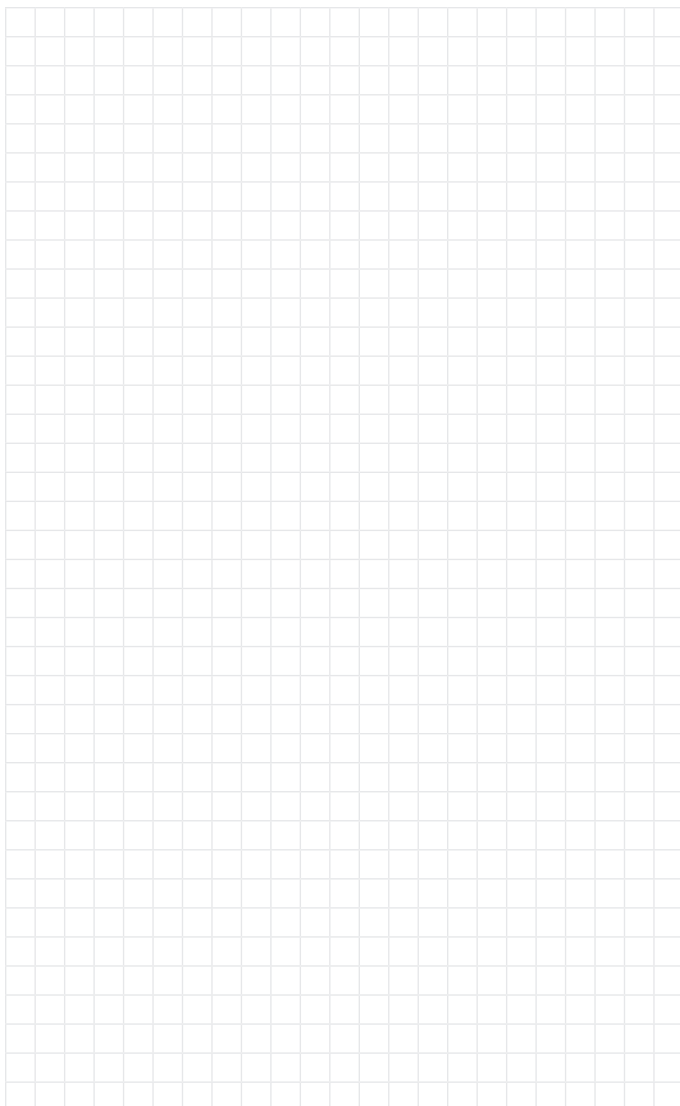
Rainwater Planning & Ordering Guide



How much spouting and how many downpipes do I need for my project?

Planning

Step 1 - Draw your roof with accurate measurements in the table below.



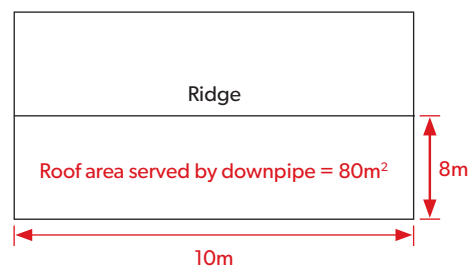
Step 2 - Establish how many downpipes are needed using roof plan table (Fig.A) below.

FIG A Plan area of roof served by the downpipe in m²

Roof Pitch	Round 65mm/ rectangular 65x50mm	Round 80mm/ rectangular 100x50mm
0°- 25°	60	100
25°-35°	50	80
35°-45°	40	70
45°-55°	35	60

FIG B

Gable End Roof



Using the gable end roof example (Fig B) - for a roof area of 80m² and a roof angle of 23°, you will require either of the following downpipe options.

Option 1 - as one RP80® 80mm round/rectangular 100x50mm downpipe services a roof area of 100m², then a roof area of 80m² would require one downpipe.

Option 2 - as one RP65® 65mm round/rectangular 65x50mm downpipe services a roof area of 60m², then a roof area of 80m² would require two downpipes.

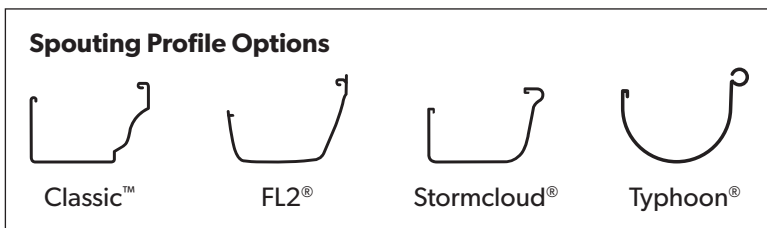
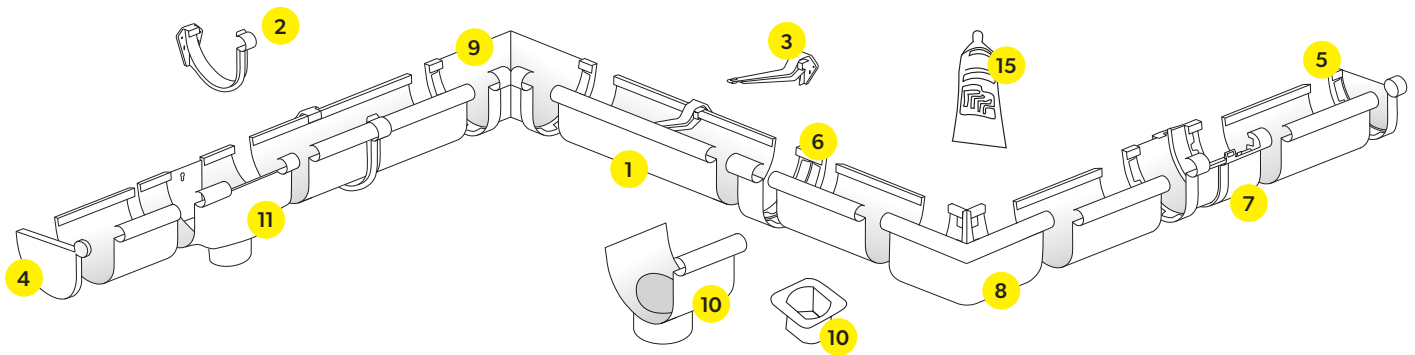
**Based on Average Rainfall Intensity of 100mm per hour.*



by aliaxis

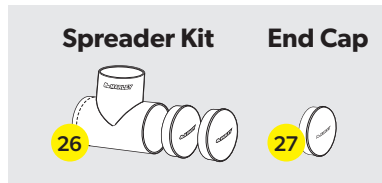
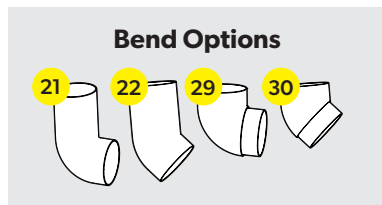
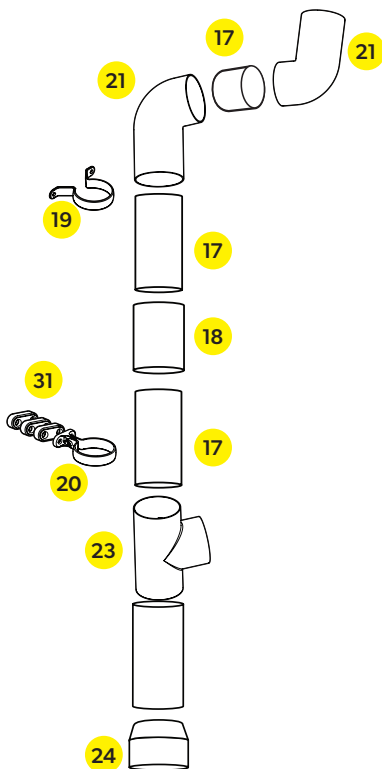
What components do I need?

Spouting



Note: Typhoon® spouting system represented above. Shape, functionality and availability of components will vary depending on the chosen spouting system.

Downpipe



Note: Marley's Typhoon® spouting system and RP80® 80mm round downpipe systems have been used as examples in the diagrams shown on this page - shape, functionality and availability of components will vary depending on the specific spouting or downpipe system.

White Spouting & Downpipe Component Checklist

Please circle the product and indicate the quantity you require. See next page for colour products.

Spouting

Component	Classic™	FL2®	Stormcloud®	Typhoon®	Quantity Required
1 Spouting 3m length	MC1.3	FL1.3	MS1.3	MT1.3	
1 Spouting 5m length	MC1.5	FL1.5	MS1.5	MT1.5	
2 External bracket	-	FL2E	-	MT2E	
3 Internal bracket	MC2	FL2I	MS2	MT2I	
4 Spouting Stopend (LH)	MC3	FL3	MS3	MT3	
5 Spouting Stopend (RH)	MC4	FL4	MS4	MT4	
6 Spouting joiner	MC5	FL5	MS5	MT5	
7 Expansion joiner	MC17	FL17	MS17	MT17	
8 External corner 90°	MC6	FL6	MS6	MT6	
9 Internal corner 90°	MC7	FL7	MS7	MT7	
11 Expansion outlet 65mm	MC8.65	FL8.65	MS8.65	-	
11 Expansion outlet 80mm	MC8.80	FL8.80	MS8.80	MT8.80	
10 Dropper outlet 65mm (only short runs)	MC11.65	MC11.65	MC11.65	-	
10 Dropper outlet 80mm (only short runs)	MC11.80	MC11.80	MC11.80	MT11.80	
15 Marley MCS® Solvent Cement (180g tube)	MCS	MCS	MCS	MCS	

Downpipe

Component	RP80® 80mm Round	RP65® 65mm Round	Rectangular 100 x 50mm	Rectangular 65 x 50mm	Quantity Required
17 Downpipe	RP80	RP65	MC140 (not socketed)	MC16 (not socketed)	
18 Downpipe joiner	RS80	RS65	MC149	MC14	
19 Saddle pipe clip	RC80	RC65	MC144	MC22	
20 Adjustable pipe clip	RC80.2	RC65.2	MC144S	MC22S	
31 Adjustable pipe clip spacer	RC80.2S	RC80.2S	-	-	
21 F+F bend - 95°	RB2.80	RB2.65	MC142	MC13	
29 M+F bend - 95°	RB4.80	-	-	-	
22 F+F bend - 43°	RB3.80	RB3.65	MC145 (45°)	MC12 (112°)	
30 M+F bend - 43°	RB5.80	-	-	-	
23 Junction - 95°	RJ80	RJ65	MC148T	MC20 (112°)	
24 Transition adaptor to round - 65mm	-	-	-	MC19.65	
24 Transition adaptor to round - 80mm	RAS80 (AHI 80mm)	RA65.80	MC141.80	MC19.80	
24 Transition adaptor to round - 90mm	RA80.90	RA65.90	MC141.90	-	
24 Transition adaptor to round - 100mm	RA80.100	-	-	-	
26 Spreader kit	SKIT80	-	-	-	
27 End Cap	CS80	-	-	-	

Accessories

Component	Item Code	Quantity Required
Galvanised nails (150)	MCNAILS	
Bracket screws for metal fascia (100)	SCREW.METAL	
Outlet Strainer	RWST	
Untrapped Rainwater Gully	1SD6166	
Curve® Leaf Diverter	CURVE	
Twist® Rainwater Diverter	TWIST	

Coloured Spouting & Downpipe Component Checklist

When selecting a colour add the corresponding colour extension to the product code.

E.g. MT1.4.GYF = Typhoon 4m length in Grey Friars®

Colour code extension



Please circle the product and indicate the quantity you require.

Spouting

Component	Stormcloud®	Quantity Required	Typhoon®	Quantity Required
1 Spouting 4m length	MS1.4. __		MT1.4. __	
2 External bracket	-		MT2E. __	
3 Internal bracket	MS2. __		MT2I. __	
4 Spouting Stopend (LH)	MS3. __		MT3. __	
5 Spouting Stopend (RH)	MS4. __		MT4. __	
6 Spouting joiner	MS5. __		MT5. __	
7 Expansion joiner	MS17. __		MT17. __	
8 External corner 90°	MS6. __		MT6. __	
9 Internal corner 90°	MS7. __		MT7. __	
11 Expansion outlet 65mm	MS8.65. __		-	
11 Expansion outlet 80mm	MS8.80. __		MT8.80. __	
10 Dropper outlet 80mm (only short runs)	MC11.80. __		MT11.80. __	
15 Marley MCS® Solvent Cement (180g tube)	MCS. __		MCS. __	

Downpipe

Component	RP80® 80mm Round	Quantity Required
17 Downpipe	RP80. __	
18 Downpipe joiner	RS80. __	
19 Saddle pipe clip	RC80. __	
20 Adjustable pipe clip	RC80.2. __	
31 Adjustable pipe clip spacer	RC80.2S. __	
21 F+F bend - 95°	RB2.80. __	
29 M+F bend - 95°	RB4.80. __	
22 F+F bend - 43°	RB3.80. __	
30 M+F bend - 43°	RB5.80. __	
23 Junction - 95°	RJ80. __	
24 Transition adaptor to round - 90mm	RA80.90. __	
24 Transition adaptor to round - 100mm	RA80.100. __	
26 Spreader kit	SKIT80. __	
27 End Cap	CS80. __	

Accessories

Component	Item Code	Quantity Required
Galvanised nails	MCNAILS	
Bracket screws for metal fascia (100)	SCREW.METAL	
Outlet Strainer	RWST	
Untrapped Rainwater Gully	1SD6166	
Curve® Leaf Diverter	CURVE. __	
Twist® Rainwater Diverter	TWIST. __	

FlaxBlack® is a colour match for NZ Steel's COLORSTEEL® FlaxPod®. Marley NZ Ltd is not affiliated with NZ Steel Ltd. Note gloss levels may vary between building materials. Actual colours may vary slightly from those shown. For a more accurate colour comparison, please request a product sample.