

# Marley Downpipe Diverter

The rainwater collector



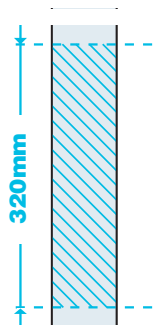
# Downpipe Diverter

The Marley Downpipe Diverter can be installed easily to PVC downpipes allowing collection of rainwater for tank filling, garden watering, aquariums and many other uses. It can also be used to divert debris during the cleaning of spouting preventing it from entering the stormwater system.

## Installation Instructions

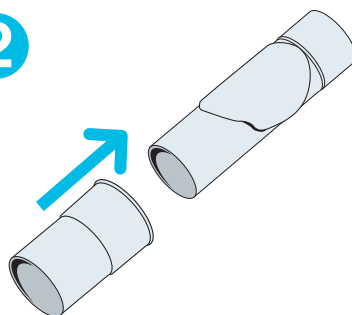
The Marley Downpipe Diverter can be installed in only a few minutes. It has an 80mm diameter, but can be easily adapted to fit all Marley downpipe profiles. You will need a measuring tape, pencil and a handsaw.

1



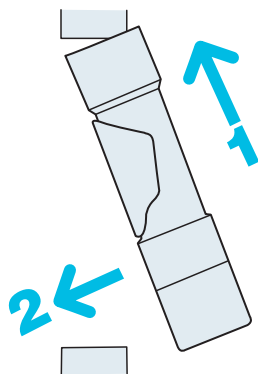
Decide where on your existing downpipe you want the diverter to be placed and cut a 320mm gap in the downpipe.

2



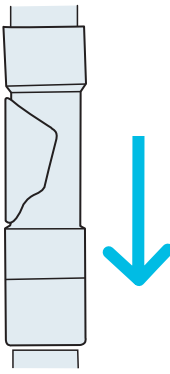
Join the downpipe diverter to the enclosed attachment.

3



To attach the diverter to the downpipe, start at the top with the diverter offset slightly, then push up and across.

4



Let the diverter then slide down into the downpipe and the downpipe diverter is ready to work.



To use, simply lower the side arm and ensure that it is clipped in and on a downwards slope.

### DISCLAIMER

This technical data sheet has been compiled by Marley New Zealand Limited ("The Company") to promote better understanding of the technical aspects of the Company's products to assist users in obtaining from them the best possible performance.

The technical data sheet is supplied subject to acknowledgment of the following conditions:

The technical data sheet is protected by Copyright and may not be copied or reproduced in any form or by any means in whole or in part without prior consent in writing by the Company.

Product specifications, usage data and advisory information may change from time to time with advances in research and field experience. The Company reserves the right to make such changes at any time without notice.

Correct usage of the Company's products involve engineering judgements which cannot be properly made without full knowledge of all the conditions pertaining to each specific installation. The Company expressly disclaims all and any liability to any person whether supplied with this publication or not in respect of anything and of the consequences of anything done or omitted to be done by any such person in reliance whether whole or partial upon the whole or any part of the contents of this publication.

No offer to trade, nor any conditions of trading, are expressed or implied by the issue or content of this manual.

Nothing herein shall override the Company's Conditions of Sale, which may be obtained from the Registered Office or any Sales Office of the Company. This technical data sheet is and shall remain the property of the Company, and shall be surrendered on demand to the Company.

### AUCKLAND

Mahia Road, Manurewa,  
Private Bag 802 Manurewa  
Head Office: Telephone 09 279 2799  
Fax 09 279 2798  
**Contact Centre: 0800 222 922**

### CHRISTCHURCH

Shands Road, Hornby, PO Box 16233  
Christchurch  
**Contact Centre: 0800 222 922**

For further information: **0800 MARLEY** (0800 627 539) [www.marley.co.nz](http://www.marley.co.nz)

an *OAliaxis* company

Rainwater Solutions

 **MARLEY**