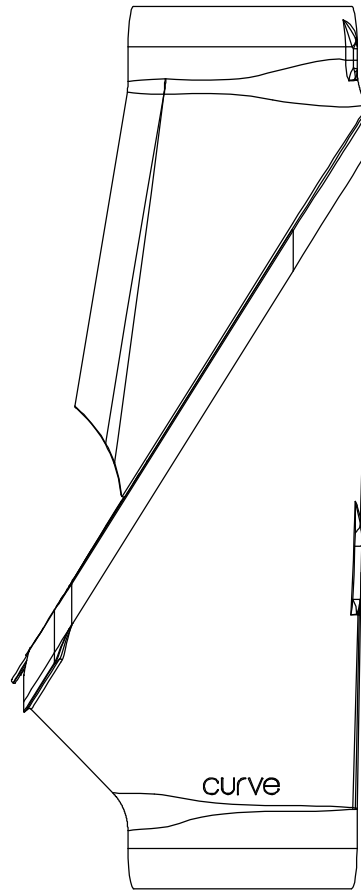
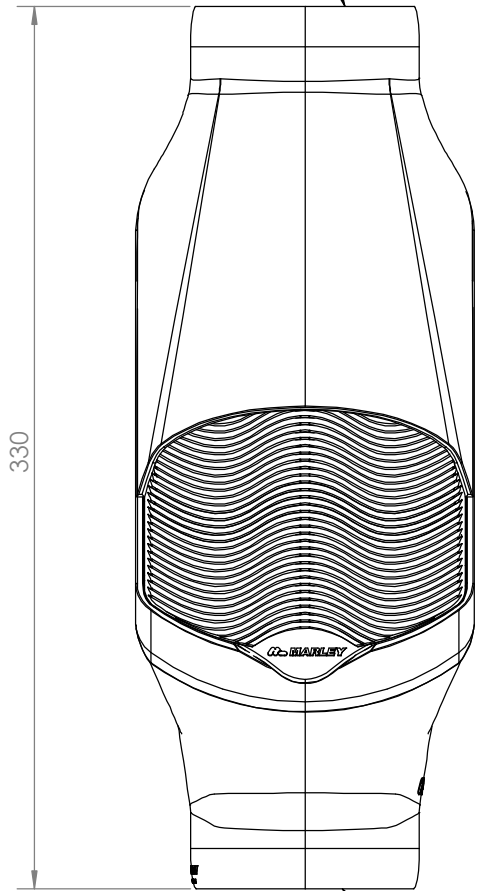


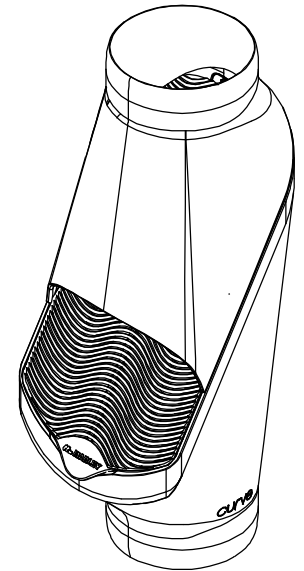
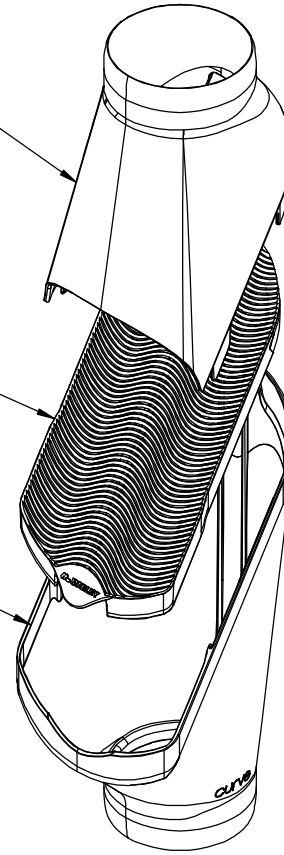
To fit Marley RP80® Downpipe



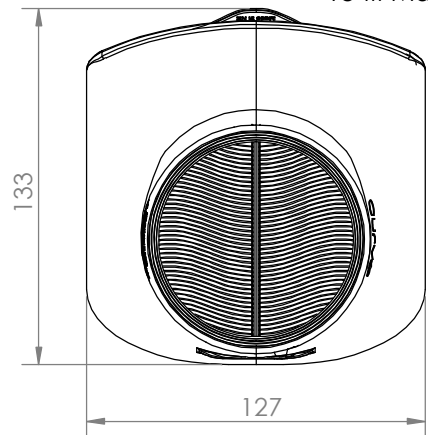
Upper body

Filter Screen

Lower Body



To fit Marley RP80® Downpipe



Colours available:
White
Grey Friars®
Ironsand®
Black
Copper
Titanium



MARLEY NEW ZEALAND LIMITED

Auckland, New Zealand
Tel: +649 279 2799 www.marley.co.nz
Free phone 0800 MARLEY

Disclaimer: This information is intended solely as a guide for use for Marley NZ products. Before using you should ensure that the product is suitable for use in the specific application. Marley NZ makes no warranty regarding the use of this information with non-Marley NZ products. This drawing is the property of Marley NZ Ltd.

DO NOT SCALE DRAWING

REVISION A 4-10-2017

UNLESS OTHERWISE SPECIFIED:
DIMENSIONS ARE IN MILLIMETERS

TITLE:

CURVE™

DWG NO.

Curve - MKTG

A3

SCALE:1:1

SHEET 1 OF 1