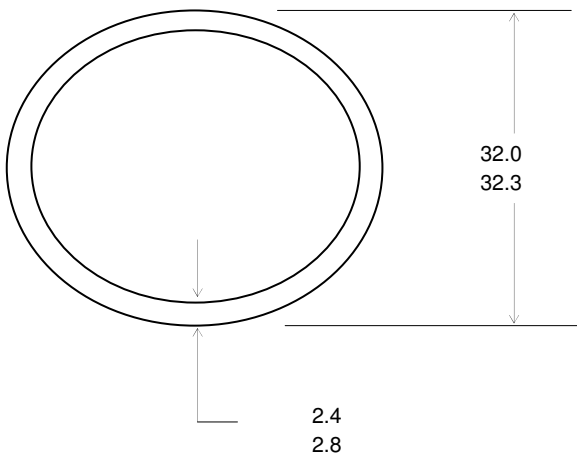


**SUBD.32.1000.O**

**32mm Sub Ducting**

**Product Drawing**

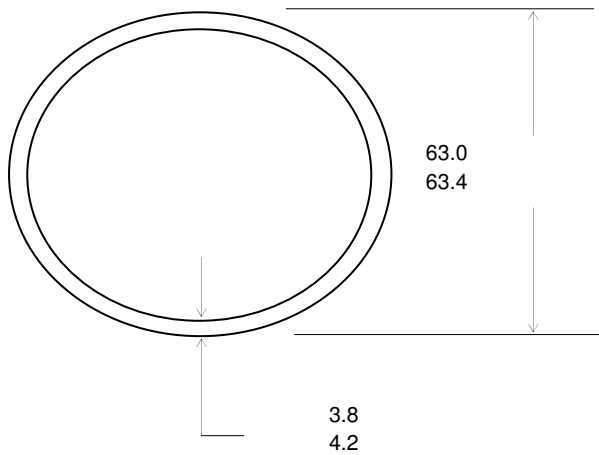


	Spec	Tolerance	Min	Max
Total Wall Thickness	2.6 +/-	0.2	2.4	2.8
Extreme OD			31.35	32.95
Mean OD	32.15 +/-	0.15	32.0	32.3
(All above dimensions are in mm)				
Length (metres)	1001 +/-	1	1000	1002

**COMD.63.110.O**

**63 mm Electrical Comduct**

**Product Drawing**

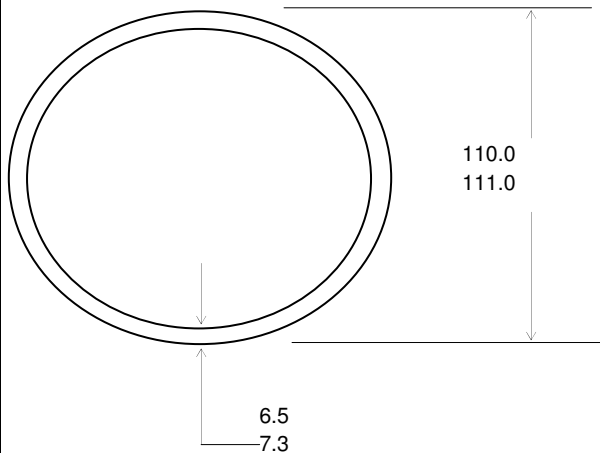


	Spec	Tolerance	min	max
Wall Thickness	4 +/-	0.2	3.8	4.2
Extreme OD			61.6	64.8
Mean OD	63.2 +/-	0.2	63.0	63.4
(All above dimensions are in mm)				
Length (metres)	101 +/-	1	100	102

**COMD.110.100.O**

**110mm Electrical Comduct**

**Product Drawing**

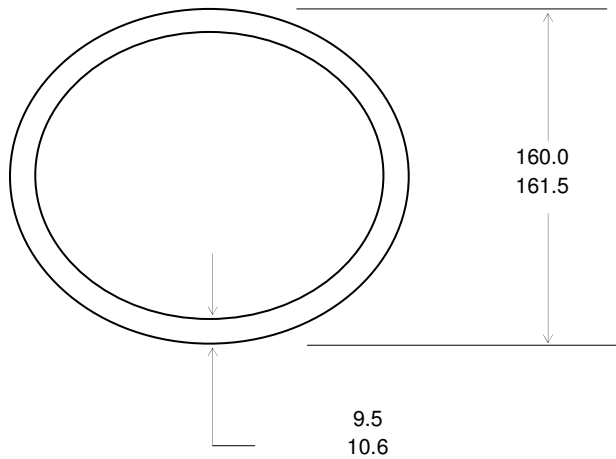


	Spec	Tolerance	min	max
Wall thickness	6.9 +/-	0.4	6.5	7.3
Out of roundness	1.1 +/-	1.1	0.0	2.2
Mean OD	110.5 +/-	0.5	110.0	111.0
(All above dimensions are in mm)				
Length (metres)	101 +/-	1	100	102

COMD.160.100.O

160mm Electrical Conduit Orange

Product Drawing



	Spec	Tolerance	Min	Max
Wall Thickness	10.05 +/-	0.55	9.5	10.6
Out of Roundness	1.6 +/-	1.6	0.0	3.2
Mean OD	160.8 +/-	0.75	160.0	161.5
(All above dimensions are in mm)				
Length (metres)	12.05 +/-	0.05	12.00	12.10

DISCLAIMER

This technical catalogue has been compiled by Marley New Zealand Limited ("The Company") to promote better understanding of the technical aspects of the Company's products to assist users in obtaining from them the best possible performance.

The technical catalogue is supplied subject to acknowledgment of the following conditions:

The technical catalogue is protected by Copyright and may not be copied or reproduced in any form or by any means in whole or in part without prior consent in writing by the Company.

Product specifications, usage data and advisory information may change from time to time with advances in research and field experience.

The Company reserves the right to make such changes at any time without notice.

Correct usage of the Company's products involve engineering judgements which cannot be properly made without full knowledge of all the conditions pertaining to each specific installation. The Company expressly disclaims all and any liability to any person whether supplied with this publication or not in respect of anything and of the consequences of anything done or omitted to be done by any such person in reliance whether whole or partial upon the whole or any part of the contents of this publication.

No offer to trade, nor any conditions of trading, are expressed or implied by the issue or content of this manual.

Nothing herein shall override the Company's Conditions of Sale, which may be obtained from the Registered Office or any Sales Office of the Company.

This technical catalogue is and shall remain the property of the Company, and shall be surrendered on demand to the Company.