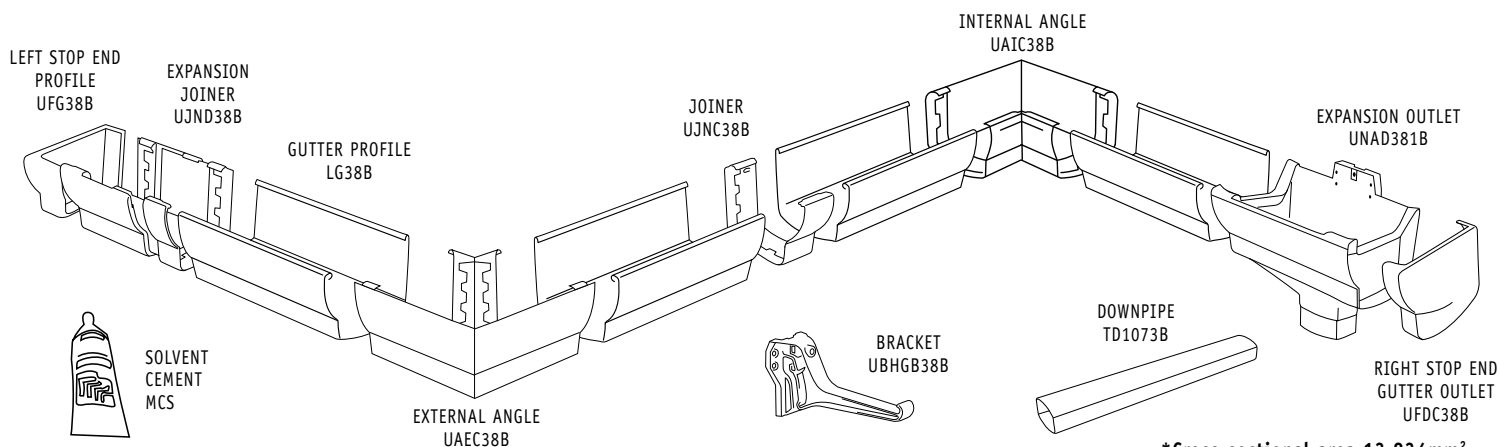


Marley Ovation Installation Instructions



DETERMINE THE NUMBER OF DOWNPIPES

Calculate the roof area and check the ARI (Average Rainfall Intensity) for your area to select the number of downpipes required (reference to Building Code E1 surface water). See table below for roof area coverage per Ovation downpipe, based on rainfall intensity of 100mm/hr.

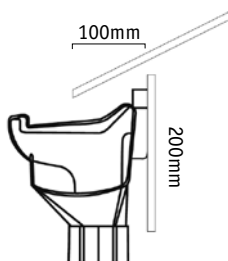
ROOF PITCH	ROOF AREA
0-25	137m ²
25-35	124m ²
35-45	112m ²
45-55	98m ²

ESTABLISH THE LOCATION OF DOWNPIPES AND OUTLETS

Where possible, position the outlet in the middle of each run of spouting to gain maximum efficiency (ensuring they are clear of access ways and windows) so the maximum length of spouting to the outlet is 12 metres. The outlet should be positioned at the lowest point of fall.

ROOF OVERHANG AND FASCIA

To accommodate the larger size of Ovation Spouting, the Roof overhang and the Fascia should be respectively not less than 100mm and 200mm to ensure a correct roof water discharge into the spouting.



CALCULATE SPOUTING FALL

Marley Ovation can be installed level or with a slight fall. Marley recommend a fall of 1.5mm per metre (or 15mm per 10m of spouting). Fix the end bracket first as high as practical and run a stringline from the base of the bracket to the outlet to ensure an even fall.

FIXING BRACKETS

Install brackets at 600mm intervals. In High wind / Snow load areas or to adjust with the roof profile reduce the bracket spacing to 400mm or less. Position the first bracket as high as practical under the roof to ensure that the water will fall into the spouting. Fix the brackets with No10 zinc plated or stainless steel round head self tapping screws (30mm minimum in length) into the fascia or rafter end. **Fit the brackets true to allow the gutter to freely slide in the support brackets.**

EXPANSION ALLOWANCE

When a run of spouting exceeds 12 metres, expansion allowance is required to accommodate thermal movement. Expansion can be allowed for by either installing a downpipe Expansion Outlet (UNAD381B) or an

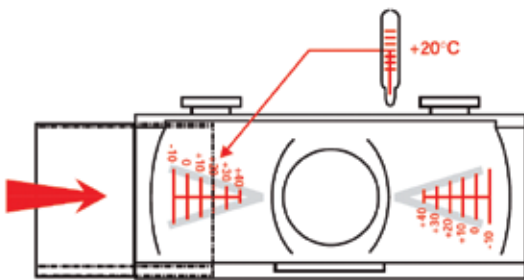
COMPONENT	CODE	PRODUCT
38 OVATION SPOUTING PROFILE 4m Length	LG38B	
SPOUTING EXPANSION OUTLET 105 x 76	UNAD381B	
JOINER	UJNC38B	
INTERNAL ANGLE 90°	UAIC38B	
EXTERNAL ANGLE 90°	UAEC38B	
EXPANSION JOINDER	UJND38B	
LEFT STOP END PROFILE	UFG38B	
RIGHT STOP END PROFILE	UFD38B	
LEFT STOP END SPOUTING OUTLET	UFGC38B	
RIGHT STOP END SPOUTING OUTLET	UFDC38B	
BRACKETS	UBHG38B	
CUTTING TEMPLATE	UGAB38	
DOWNPIPE 105 X 76 3m Length	TD1073B	
SOCKET BEND M-F 15°	UCM1GTB	
SOCKET BEND M-F 87°30	UCM8GTB	
FLAT BEND 90°	UCM9GTB	
DOWNPIPE JOINER	UZMGTB	
DOWNPIPE CLIP	UCOMGTB	
STORMWATER ADAPTER	UPCU107B	
WELDING SOLVENT 180g Tube	MCS	

Expansion Joiner (UJND38B). Never solvent cement spouting to an expansion outlet.

If the number or location of downpipes and therefore Ovation Expansion Outlets is restricted (i.e. are not every 12 metres) an Expansion Joiner needs to be installed. The Expansion Joiner has a sliding rubber seal (gasket) which accommodates the movement of the spouting. The rubber gasket inside the UJND38B can be cleaned by removing the 2 parts of the unit. Lubricate the gasket with silicon grease after cleaning before reassembling.

To install an Expansion Joiner set bracket spacing at 400mm, the Expansion Joiner is to be installed mid distance between these brackets. Solvent Cement the Ovation Spouting into one side of the Expansion Joiner (refer to the Marley Solvent Cement procedure below) and insert into previously installed brackets. Set the expansion joiner using the graduated temperature marked on the inside of the base of the fitting according to the temperature at the time of the installation. It is important that the fitting is set in the right position for it to function correctly.

Determine the length of the next piece of spouting. Solvent Cement this length of spouting into the other side of the Expansion Joiner, ensuring the joiner is still set at the correct temperature position. For spouting runs exceeding 12 metres in length fix the top back edge of the spouting with a stainless steel screw to the fascia an equal distance between expansion fittings.



CUTTING

Use the Marley cutting template (UGAB38) to cut both the Ovation spouting (LG38B) and downpipe (TD1073B). Use a fine tooth hacksaw to cut the spouting. Remove the burrs from the cut edge before solvent welding into position.

Consumer Guarantee: Subject to the above product information, if Marley PVC Rainwater Systems are used and installed strictly according to Marley's published installation instructions we guarantee the PVC Rainwater System to be free from defects in material and manufacture for a period of 15 years from the date of purchase. If you consider that our guarantee has not been fulfilled, do not attempt repairs or replacement, but contact Marley New Zealand Limited, Private Bag 802, Manurewa, Auckland with evidence of the product

DISCLAIMER

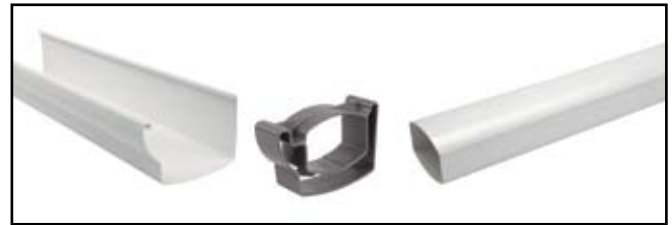
This technical brochure has been compiled by Marley New Zealand Limited ("The Company") to promote better understanding of the technical aspects of the Company's products to assist users in obtaining from them the best possible performance.

The technical brochure is supplied subject to acknowledgement of the following conditions:

The technical brochure is protected by Copyright and may not be copied or reproduced in any form or by any means in whole or in part without prior consent in writing by the Company. Product specifications, usage data and advisory information may change from time to time with advances in research and field experience. The Company reserves the right to make such changes at any time without notice. Correct usage of the Company's products involve engineering judgements which cannot be properly made without full knowledge of all the conditions pertaining to each specific installation. The Company expressly disclaims all and any liability to any person whether supplied with this publication or not in respect of anything and of the consequences of anything done or omitted to be done by any such person in reliance whether whole or partial upon the whole or any part of the contents of this publication. No offer to trade, nor any conditions of trading, are expressed or implied by the issue or content of this manual. Nothing herein shall override the Company's Condition of Sale, which may be obtained from the Registered Office or any Sales Office of the Company This technical brochure is and shall remain the property of the Company, and shall be surrendered on demand to the Company.

For further information: **0800 MARLEY** (0800 627 539) www.marley.co.nz

Rainwater Solutions



DOWNPIPE INSTALLATION

1. Ovation Downpipe should be fitted to Expansion Outlets.
2. Pipe and Elbows should be solvent cemented together except for the top downpipe elbow into the Expansion Outlet.
3. Ovation downpipe clips use a threaded metal insert. The metal insert can be knocked out if required and a stainless steel screw can be used instead to fix the downpipe clip.
4. Once the clips have been fixed to the wall, place the downpipe and close the clip as shown in figure 3. To open the clip use a screw driver as shown in figure 4. Vertical downpipes should be fixed to the wall using clips every 2m.

Figure 3

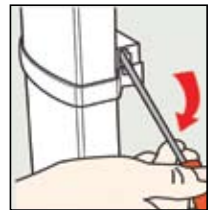
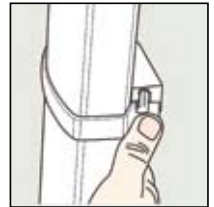


Figure 4

Important: Marley spouting and downpipes have not been designed for use as a concealed system or for use in wall or ceiling cavities. In addition, care should be taken that all joints are sealed if round downpipe is being installed horizontally.

SOLVENT WELDING

Only "Marley Solvent Cement" (MCS) should be used when installing Marley Ovation Spouting. The surface areas to be joined must be clean, dry and free from burrs. The solvent cement must be evenly applied to both surfaces and the joint formed immediately. Once the joint has been completed, unnecessary movement should be avoided for 10 minutes. Any surplus solvent on the exterior surface should be removed immediately with a clean, lint free cloth.

purchase date. Marley will then institute timely inspection of the installation. If the Marley PVC Rainwater System has been used and installed in accordance with the requirements of this guarantee (set out above) but does not comply with that guarantee, we will provide replacement product or refund its original purchase price. This guarantee is given to consumers as defined in and who have the rights under the Consumer Guarantees Act 1993 and should be read with the statutory consumer guarantees contained in that Act.

AUCKLAND

Mahia Road, Manurewa, Private Bag 802 Manurewa
Sales Department: Telephone 09 279 2777
Direct Fax 09 279 2778 Freefax 0800 652 621
Head Office: Telephone 09 279 2799 Fax 09 279 2798
Contact Centre: 0800 222 922

CHRISTCHURCH

Shands Road, Hornby, PO Box 16233 Christchurch
Contact Centre: 0800 222 922

 **MARLEY**

an *OAliaxis* company